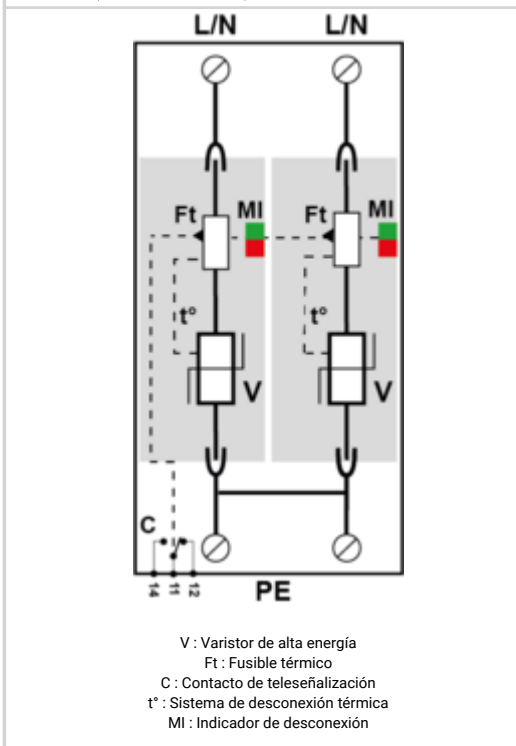
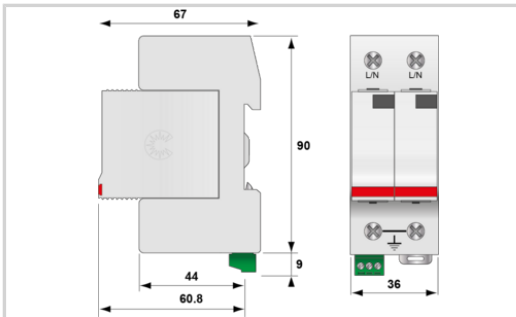


DS42S-120



- ↳ MOV Technology
- ↳ UL1449 Type 4CA
- ↳ 40kA Surge Current Rating
- ↳ Visual fault indicator and remote contacts
- ↳ 10-Year warranty



Características eléctricas	
Modo(s) de protección	Modo común
POWER SPD TYPE	UL1449 5th Ed. TYPE 4CA
TENSION	(V) 240/120
AC/DC/DC PV/RF	AC
FASE	(PH) 1S
AMPS	(A) N/A
AMBIENT MIN	(C) -35
AMBIENT MAX	(C) +60
MODOS	L-L, L-G
MLV	(V) 1960/-/1240/-
MCOV	(V) 300/-/150/-
IN	(kA) 20
I _{cc} cortocircuito	(kA) n/a
IMAX	(kA) 40
I _{imp}	(kA) 4
Opción	
Remote status dry contact electrical rating	V 250.0000
Remote status dry contact electrical rating	A 0.5000
RFI Filter	no
Instalación	
Wiring type	Screw
Solid wire cross section	mm ² 2.5000
Solid Wire cross section	mm ² 35.0000
Stranded Wire cross section	mm ² 2.5000
Stranded wire cross section	mm ² 25.0000
Wire gauge	AWG 13.0000
Wire gauge	AWG 2.0000
Torque	Nm 2.0 - 2.5
Torque	in-lbs 17.8 - 22.1
Strip Length	mm 13.0000
Strip Length	in 0.5000
Operating Temperature	°C -40.0000
Operating Temperature	°C 85.0000
Operating Temperature	°F -40.0000
Operating Temperature	°F 85.0000
Operating Relative Humidity	%RH 95
Operating Altitude	Ft 2000.0000
Operating Altitude	Ft 6500.0000
Housing/Enclosure material	Thermoplastic
Flammability rating	V0
Mounting	Din Rail
IP Environmental rating	IP20
NEMA Environmental rating	NEMA 1
Installation Location	Indoor
Spare part	Module
Product Dimension	mm 99.0000
Product Dimension	mm 67.0000
Product Dimension	mm 36.0000
Product Dimension	In 3.8900
Product Dimension	In 2.6400
Product Dimension	In 1.4200
Miscelánea	
Individual Pack	Yes
Storage Temperature	°C -40.0000

DS42S-120

Storage Temperature	°C	85.0000
Storage Temperature	°F	-40.0000
Storage Temperature	°F	85.0000
Storage Relative Humidity	%RH	95.0000
Características mecánicas		
TECNOLOGIA		MOV
CONFIGURACION DE RED		1PH, 2W+G, Single Phase (or 2PH, 2W+G, Two Phase)
FORMA DE CONEXION		SPD-Screw Terminal (8-12AWG), Terminal blocks 6AWG
MONTAJE		Din Rail
MATERIAL		Thermoplastic UL94-V0
NEMA RATING (IP RATING)		NEMA 2 (IP20)
DESCONEXION SEGURA		Disconnection via fuse-link
REAL-TIME DIAGNOSTICS		Visual indicator and remote contacts
DIMENSIONS		See diagram
WEIGHT		0.60 lbs
SPARE PART		DSM40-120
Normas		
Certificación		CSA / UL Listed
UL STANDARD		UL1449 5th Edition
UL CATEGORY		VZCA2, VZCA8
UL FILE NUMBER		E326289
NORMAS		NOM-003-SCFI-2014, NOM-001-SCFI-1993
ENVIRONMENTAL STANDARDS		ROHS
Código		
461621		