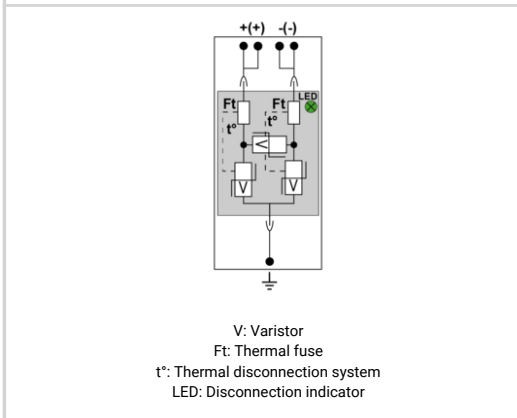
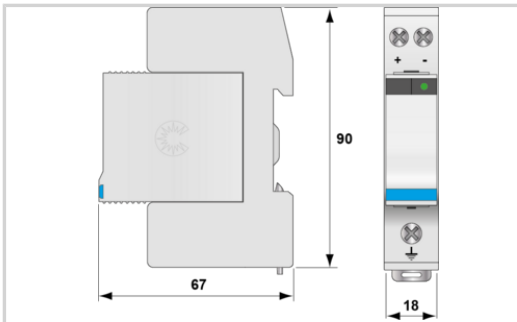


DS210-12DC



- Surge protector for DC supplies
- 12 Vdc
- I<sub>max</sub> : 2 kA
- Pluggable module
- Operating indicator
- IEC 61643-11, EN 61643-11 and UL1449 ed.5 compliance



Electrical Characteristics		
SPD type		2 (or 3)
Network		DC network 12 Vdc
Nominal DC voltage	Un-dc	12 Vdc
Max. AC operating voltage	Uc	10 Vac
Max. DC operating voltage	Uc	15 Vdc
Max. load current @25°C	IL	20 A
Residual Current Leakage current to Ground	I <sub>pe</sub>	< 0.1 mA
PV Permanent Operating current Current consumption at U <sub>cpv</sub>	I <sub>cpv</sub>	< 0.1 mA
Follow current	I <sub>f</sub>	None
Nominal discharge current 15 x 8/20 μs impulses	I <sub>n</sub>	1 kA
Max. discharge current max. withstand @ 8/20 μs by pole	I <sub>max</sub>	2 kA
Total Maximum discharge current max. total withstand @ 8/20 μs	I <sub>max</sub> Total	2 kA
Current withstand short circuit PV	I <sub>scpv</sub>	1000 A
Connection mode(s)		+/-/PE
Protection mode(s)		Common/Differential mode
Protection level +/-PE (-/PE) @ I <sub>n</sub> (8/20μs)	U <sub>p</sub>	85 V
Mechanical Characteristics		
Technology		MOV
SPD configuration		2-poles
Connection to Network		By screw terminals: 1.5-10mm <sup>2</sup> (actives wires) and 2.5-25mm <sup>2</sup> (ground)
Format		Plug-in modular box
Mounting		Symmetrical rail 35 mm (EN 60715)
Housing material		Thermoplastic UL94 V-0
Operating temperature	T <sub>u</sub>	-40/+85°C
Protection rating		IP20
Failsafe mode		Disconnection from DC network
Disconnection indicator		Green LED(s) OFF
Spare module(s)		DSM210-12DC
Dimensions		See diagram
Weight		0.092 kg
Disconnectors		
Thermal disconnector		Internal
Back-up protection device		Fuses type gG - 10 A
Standards		
Standards compliance		IEC 61643-11 / EN 61643-11 / UL1449 ed.5
Part number		
440201		